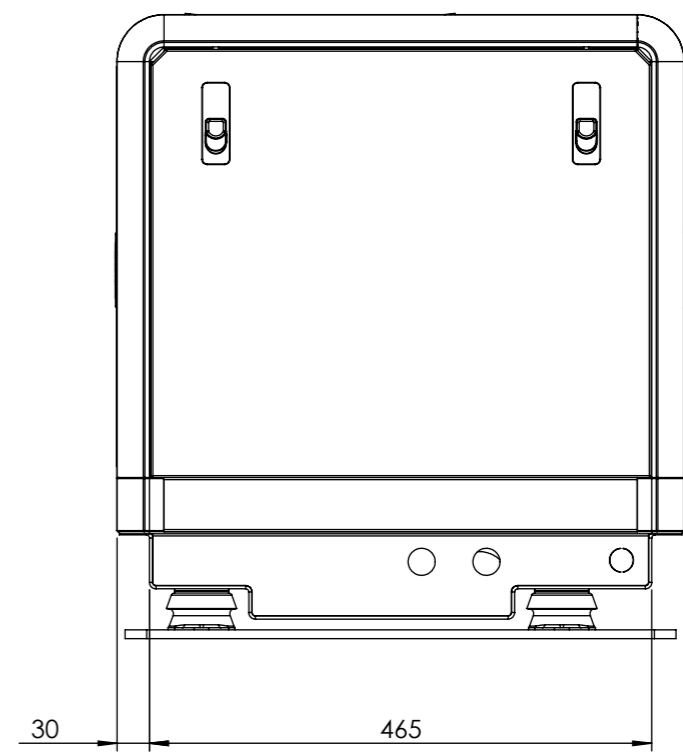
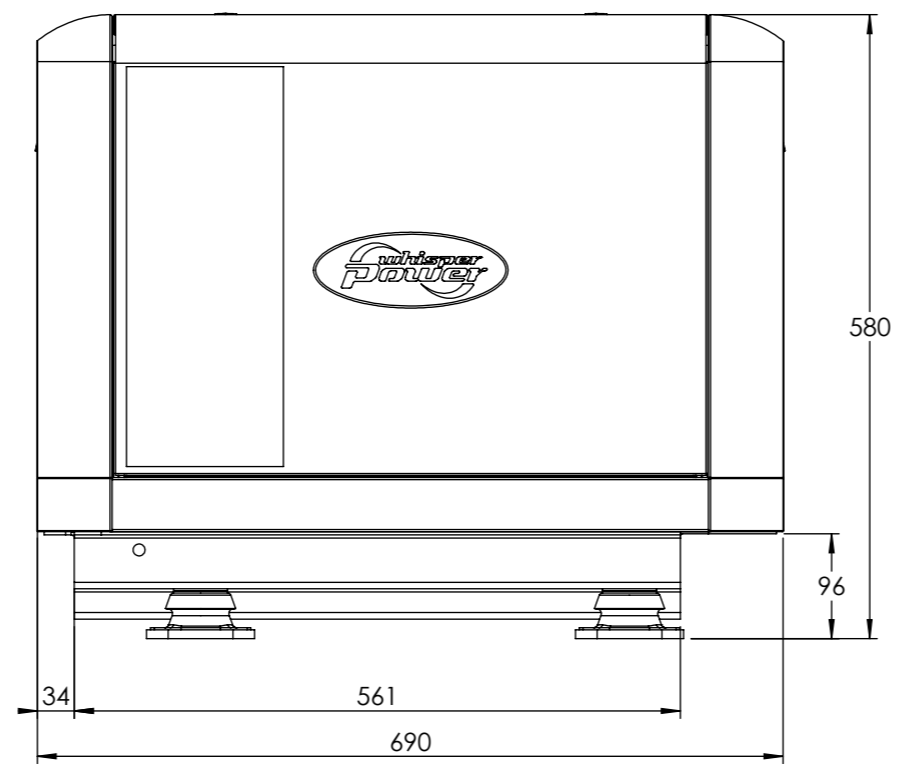
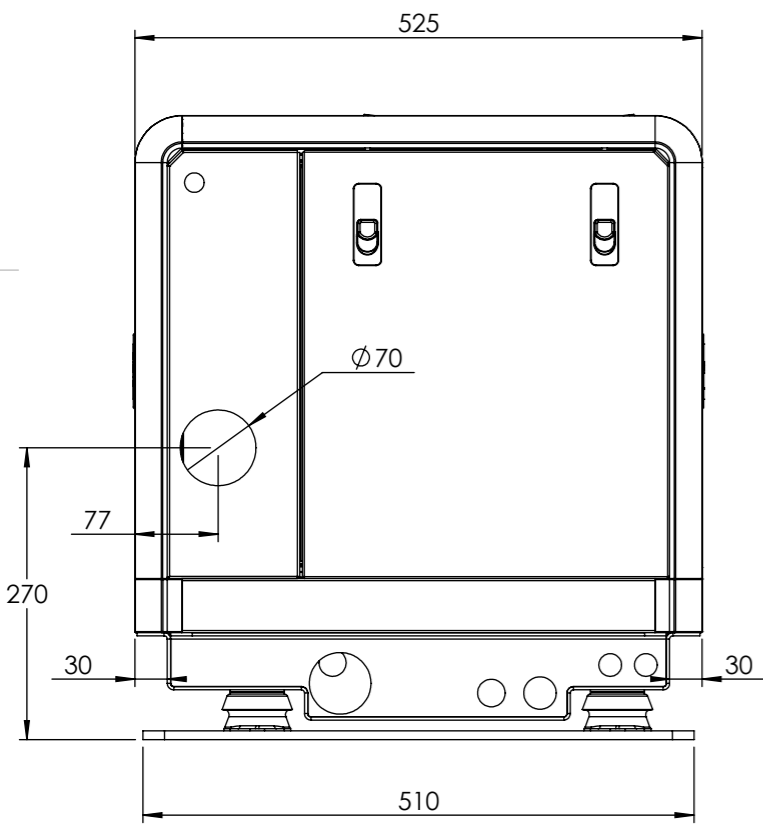
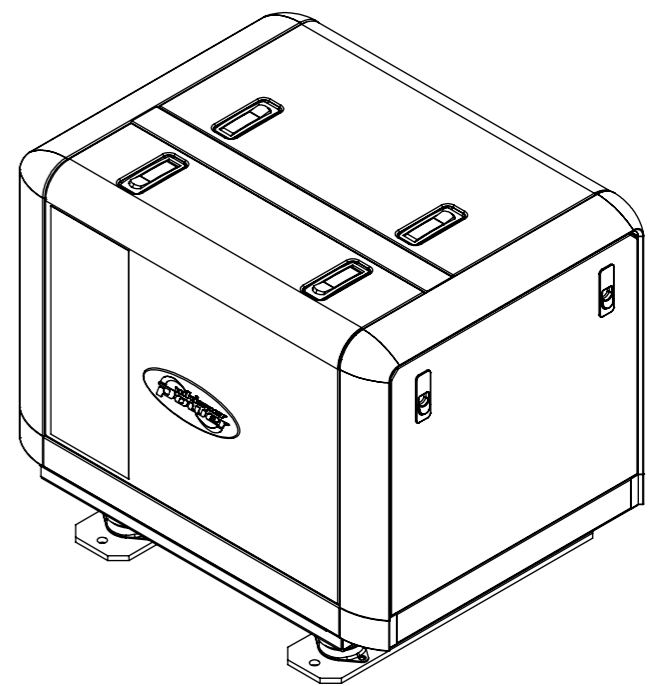
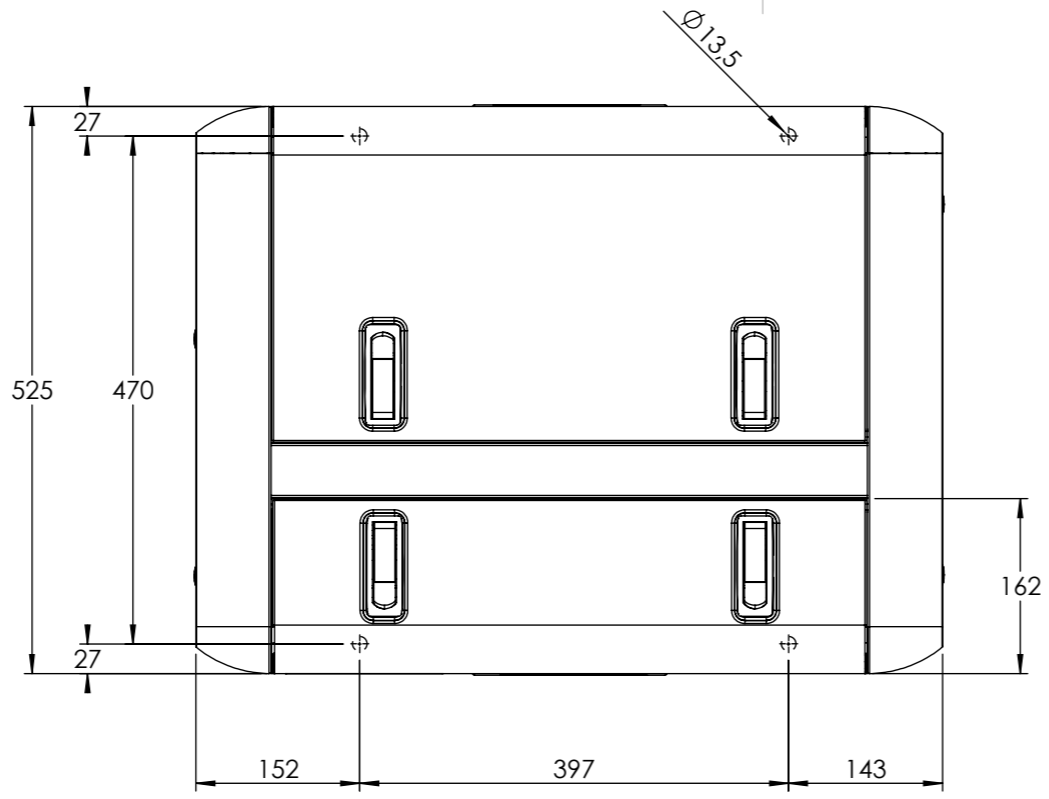



REVISIONS			
REV.	DESCRIPTION	DATE	APPROVED



M-SC 6
M-SC 8

UNLESS OTHERWISE SPECIFIED: CHAMFER SHARP EDGES GENERAL TOLERANCE NEN ISO 2768-m FORM AND PLACE TOLERANCES NEN-ISO 1101 WELDING SYMBOL NEN ISO 25 ROUGHNESS ACC. to NEN3634	TOLERANCE PRINCIPLE ISO 8015 PROJECTION : THIRD ANGLE UNITS : mm	FINISH: DO NOT SCALE DRAWING																				
				SHEET FORMAT: A3																		
TITLE:			DWG NO. Kast-assy 8 3000t M2																			
<table border="1"> <thead> <tr> <th>NAME</th> <th>SIGNATURE</th> <th>DATE</th> <th>STATUS:</th> </tr> </thead> <tbody> <tr> <td>DRAWN</td> <td></td> <td>18-7-2007</td> <td></td> </tr> <tr> <td>CHK'D</td> <td></td> <td></td> <td></td> </tr> <tr> <td>APP'V'D</td> <td></td> <td></td> <td></td> </tr> <tr> <td>PRINTED</td> <td></td> <td>12-8-2010</td> <td></td> </tr> </tbody> </table>		NAME		SIGNATURE	DATE	STATUS:	DRAWN		18-7-2007		CHK'D				APP'V'D				PRINTED		12-8-2010	
NAME	SIGNATURE	DATE	STATUS:																			
DRAWN		18-7-2007																				
CHK'D																						
APP'V'D																						
PRINTED		12-8-2010																				
WEIGHT:		SCALE:1:7	SHEET 1 OF 1																			