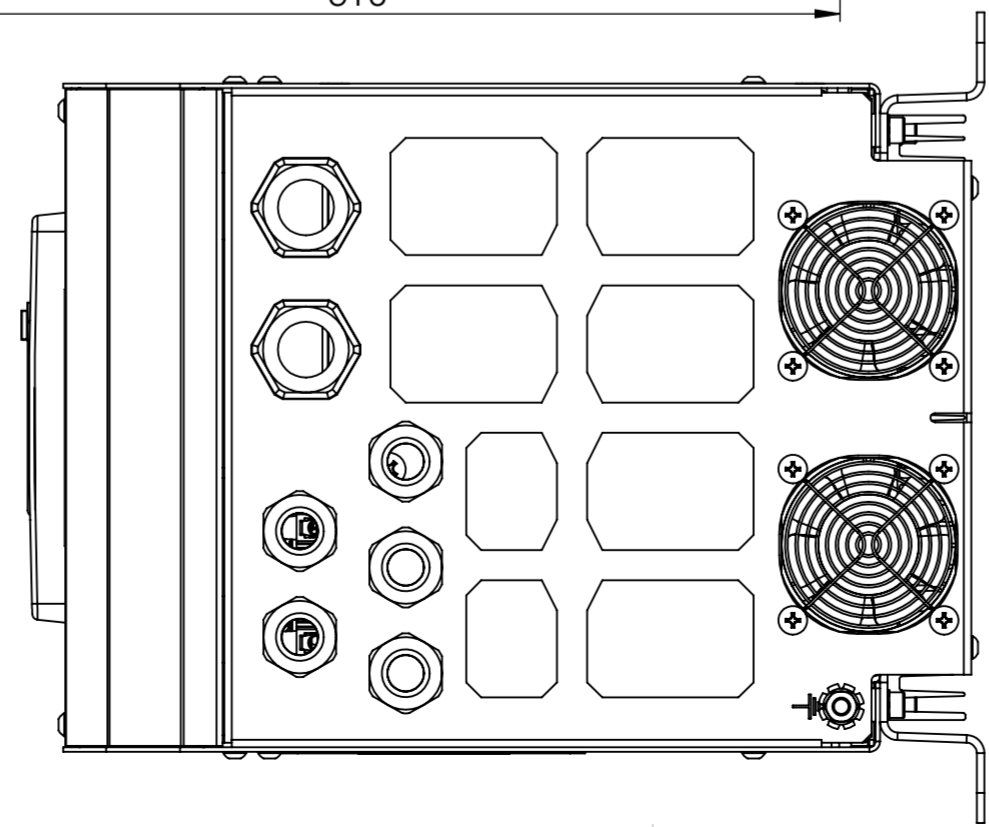
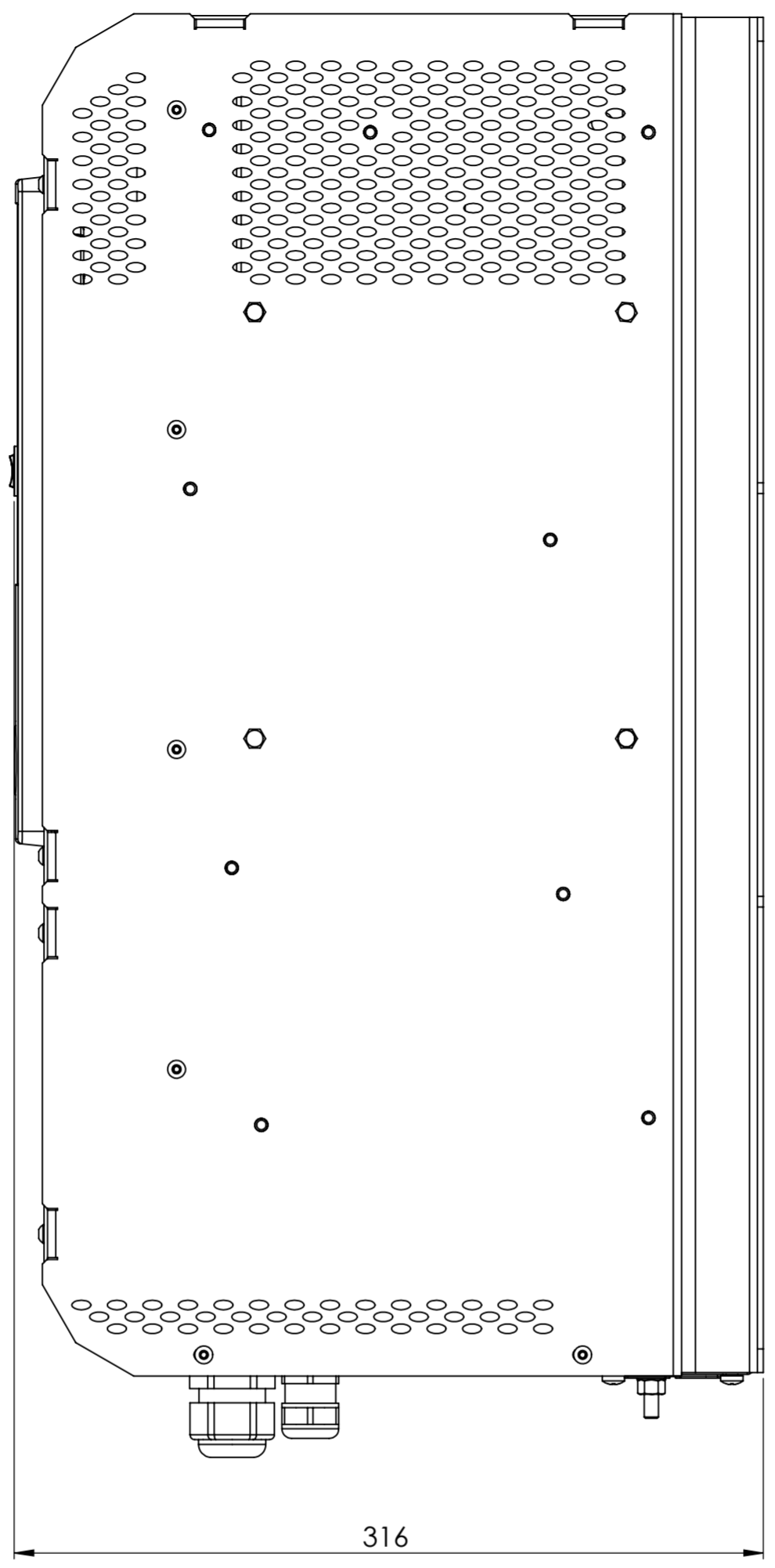
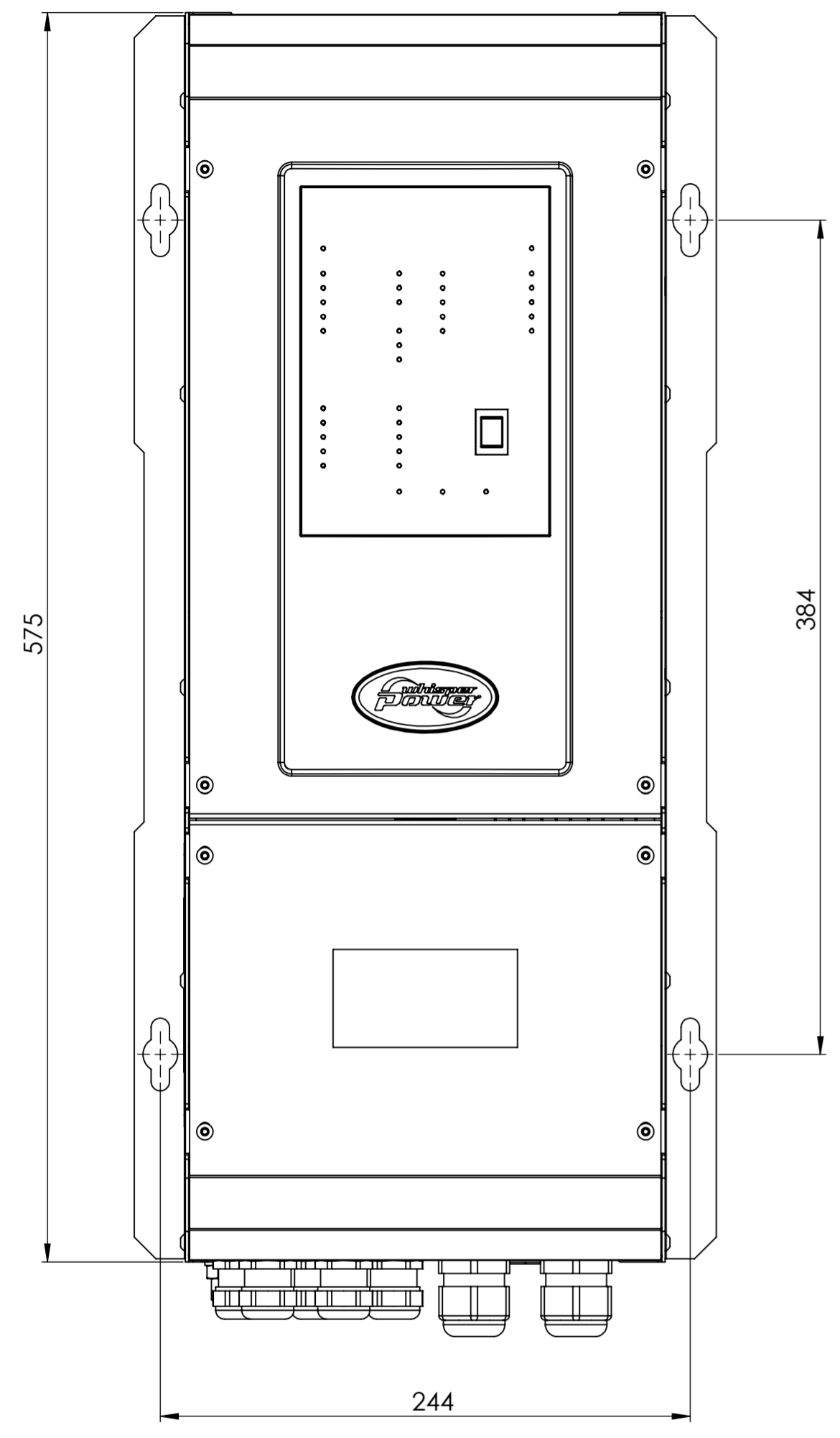


3	4	ISO 7380 - M4 x 8 --- 8N	ISO 7380 - M4 x 8 --- 8N	NOT_REQUIRED
2	1	Coverpanel Under Branded DC Power Cube	6019A12674	NOT_REQUIRED
1	1	Subassy without final cover Power Cube	6019A12681	NOT_REQUIRED
ITEM NO.	Defau If/QTY	DESCRIPTION	DRAWING	ARTICLE No.
UNLESS OTHERWISE SPECIFIED: CHAMFER SHARP EDGES GENERAL TOLERANCE NEN ISO 2768-m FORM AND PLACE TOLERANCES NEN-ISO 1101 WELDING SYMBOL NEN EN 22553 ROUGHNESS ACC. to NEN3634		TOLERANCE PRINCIPLE ISO 8015 PROJECTION : THIRD ANGLE UNITS : mm	FINISH: Material:	DO NOT SCALE DRAWING SHEET FORMAT: A2 TITLE: DC Power Cube 24V-150A (MAS)
DRAWN	J.K.	SIGNATURE	DATE	STATUS: Design Review
CHKD				DRAWING: 6019A12664
PRINTED			8-6-2012	ARTICLE NO. 60202002 REVISION -
Weight: 23551.37 gram			SCALE:1:2	SHEET 1 OF 2





UNLESS OTHERWISE SPECIFIED: CHAMFER SHARP EDGES GENERAL TOLERANCE NEN ISO 2768-m FORM AND PLACE TOLERANCES NEN-ISO 1101 WELDING SYMBOL NEN EN 22553 ROUGHNESS ACC. to NEN3634		TOLERANCE PRINCIPLE ISO 8015	FINISH: -	DO NOT SCALE DRAWING	
PROJECTION : THIRD ANGLE UNITS : mm		Material:	SHEET FORMAT: A2	TITLE: DC Power Cube 24V-150A (MAS)	
DRAWN J.K.	SIGNATURE	DATE 1-6-2012	STATUS: Design Review	ARTICLE NO. 60202002	REVISION -
CHKD			DRAWING: 6019A12664	SCALE:1:2.5	SHEET 2 OF 2
PRINTED		8-6-2012	Weight: 23551.37 gram		