



# WhisperPower diesel generator

**SQ 6**  
5.7 kW  
1.500 rpm



## Superior power systems for recreational and commercial craft



### WhisperPower is the leading European manufacturer of "smart" power systems.

The comprehensive range of diesel generator systems, utilizing inverter technology and advanced power management, has been used for over 15 years by many yacht builders, commercial shipbuilders, vehicle manufacturers and various other markets throughout the world.

### Main characteristics of WhisperPower systems:

Compact, electronically controlled, ease of operation. The systems are supplied with metallic or polyester sound shield, ready to install, with all connections pre-fabricated. WhisperPower exhaust kits, fuel kits, water inlets kits and various other key installation components are supplied as optional kits and are available from stock. The extended range of generator sets includes models from 3.5 kW for basic comfort to 30 kW "full comfort" power rating.

### WhisperPower produces three main product series:

The Super Compact 3600 rpm range of diesel generators up to 11 kW, the Super Quiet line of 1800 rpm sets from 5.5.7 kW up to 30 kW and the new GENVERTER range of variable speed inverter integrated products. The GV 4 Basic (3.8.kW) and 7i (5.7 kW) are now available for 230 V 50 Hz output.

Technology used for the 3600 & 1800 RPM models: synchronous alternator technology, all single phase back ends are water cooled, hardly any air

is needed for cooling, so the sets can be stowed away in the smallest of places. Almost all models are fitted with an electronic governor which results in an extremely stable output voltage and frequency. All WhisperPower models are supplied with Digital Diesel Controls (DDC) power system management, offering easy to understand information on operational status. Interfaces are available for bus connectivity including NMEA 2000.

### Six 1800 rpm models, three 3600 models and a new generation of variable speed GENVERTER models coming up.

WhisperPower integrates marinized Mitsubshi and Kubota engines to operate in the marine environment. For the one cylinder M-SC 3.5 a marinized industrial Kubota engine is used while the GENVERTER one cylinder models operate with WhisperPower designed engines. All standard WhisperPower products can be delivered immediately from inventory and our flexible manufacturing techniques allow for a timely fulfillment of customized units demands.

### We make the product the way you want it:

- WhisperPower sets with dry exhaust. (for vessels operating in shallow waters or inland waterways)
- WhisperPower sets with PTO (Power Take Off) for installation of a hydraulic pump, mounted to the generator end to provide up to 25KW of hydraulic power to operate hydraulic equipment.
- WhisperPower sets can be manufactured with isolated ground for use on aluminum vessels.

### Complete installation kits

- We offer complete installation kits of the highest quality: non-flammable water exhaust separators and waterlocks (Delta exhaust parts/ ABYC compliant), rubber hoses, fuel kit with fuel/water separators, anti-siphon kits, starter battery kit, etc.
- We are able to supply our systems with specific certifications like Lloyds, GL or ABS.
- All our models are available for 50 Hz use as well.



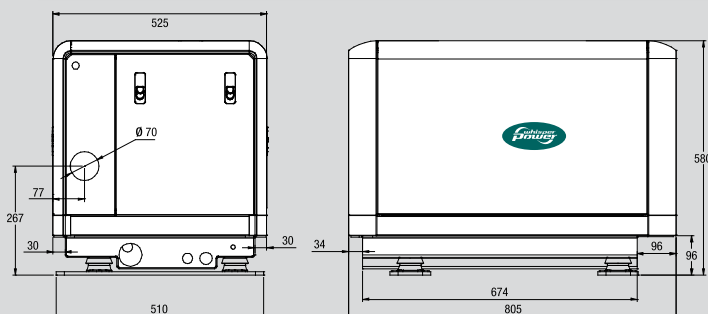
**SQ 6**  
5.7 kW  
1.500 rpm

smart energy solutions

# Technical Data

diesel generator	Art. No. 41105005	41105020
Specifications	M-SQ 6 Marine	W-SQ 6 Mobile/Land
Nominal power	5.7 kW @ 1500 rpm	5 Kw @ 1500 rpm
Nominal voltage	230V - 29A	230V - 25A
Output frequency	50Hz*	50Hz*
Power factor / cos phi	1	1
Voltage tolerance	± 5%	± 5%
Frequency tolerance (Hz)	± 1%	± 1%
Voltage regulation	Capacitor based	Capacitor based
Starter battery	12 V	12 V
Battery charge current	alternator 40 A	alternator 40 A
Alternator	watercooled, no brushes, synchronous	
Sound level	51 dBA	51 dBA
Dimensions (l x w x h) inches incl. sound sheeld	805 x 525 x 580mm	805 x 525 x 580mm
Dry weight	240 Kg	240 Kg
Location oil refill cap	top & side	top & side
Max. operation angle (all directions)	25°	25°
Wet / Dry exhaust pipe ø40mm	ø 1 5/8" (water cooled) inner thread	ø 1.5 inch BSP inner thread (dry)
Material / Color	sheet metal / RAL 9003	
Temperature range operational	-20° to 40°	
Protection degree	Engine compartment IP44, Electronic compartment IP23	
Relative humidity	Max. 95% relative humidity, none condensing	
Remote control	Digital Diesel Control	Digital Diesel Control
Specifications diesel engine		
Engine model (Mitsubishi)	L3E	L3E
Number of cylinders	3	3
Bore & stroke	3 x 76 x 70mm	3 x 76 x 70mm
Cylinder capacity	952 CC	952 CC
Air consumption	0.8 m³/min	0.8 m³/min
Engine cooling	Inter cooled	water-cooled
Fuel consumption (no load-full load)	1-3 l/hour	1-3 l/hour

\*Fitted with electronic governer



### Water inlet kit

consisting of: Water strainer, hoses, hose clamps, through-hull fitting and seacock



### DELTA Water/gas separator kit

consisting of: Water/gas separator with unique rotating connections, through-hull fitting, hoses, hose clamps and seacock



### DELTA Exhaust kit

consisting of: Exhaust silencer/waterlock muffler with unique rotating connections, through-hull fitting, hoses and hose clamps

### Dry exhaust kit

There are specific situations where the implementation of a Dry Exhaust kit is a good alternative contains two silencers: an absorption and a resonance muffler including fitting material

### Options

Options	Art. No.
Water inlet Kit	40230211
Syphon breaker Kit	40230274
DELTA exhaust Kit	40230251
DELTA water exhaust separator Kit	40230261
Water heater Kit	40245030
Fuel supply Kit	40230205

### Options

Options	Art. No.
Radiator cooling Kit engine	40201879
Radiator cooling Kit alternator	40201878
Dry exhaust Kit	40201875
Spare Part Kits	Art. No.
Maintenance Kit A	40201860
Maintenance Kit B	40201761

### Digital Diesel Control:

Each WhisperPower generator comes standard with the Digital Diesel Control power system management. This remote panel has a one touch start/stop facility and provides complete diagnostics and performance data.

Digital Diesel Control continuously monitors vital functions, including

frequency, AC voltage and engine components, such as oil pressure, exhaust temperature, cooling water temperature and starter battery voltage. Maintenance schedules are alerted per settings. Visual and audible warnings alert you the instance something is wrong and the safety shut-downs will protect the generator.

One-touch start-and stop buttons

Select: your access to various menus



### Load information at a glance

Green LEDs displays the status for nominal capacity (five-step scale to 100%). Overload is signaled by a red light and the generator will shutdown.

